

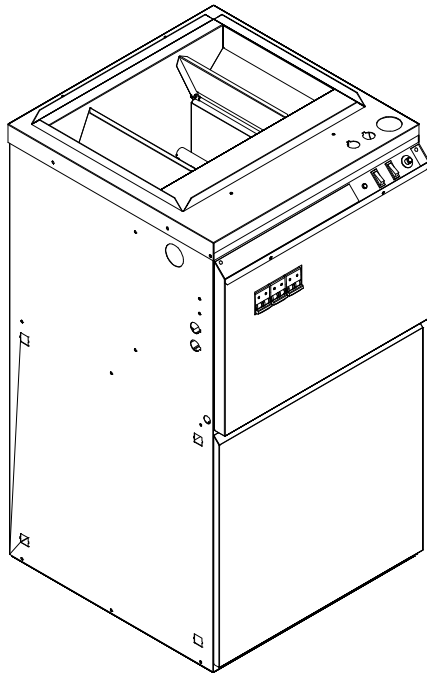
Installation Instructions and Homeowner's Manual

SUPREME

Fournaise électrique Electric Furnace

240 VAC POWER SUPPLY

***MULTI POSITION
VARIABLE SPEED BLOWER
MOTOR (ECM)***



INSTALLER / SERVICE TECHNICIAN:

USE THE INFORMATION IN THIS MANUAL FOR THE INSTALLATION AND SERVICING OF THE FURNACE AND KEEP THE DOCUMENT NEAR THE UNIT FOR FUTURE REFERENCE.

HOMEOWNER:

PLEASE KEEP THIS MANUAL NEAR THE FURNACE FOR FUTURE REFERENCE.

Models:

SUP15-E230V1
SUP18-E230V1
SUP20-E230V1
SUP23-E230V2
SUP27-E230V2



Caution: Do not tamper with the unit or its controls. Call a qualified service technician.

Manufactured by:

Industries Dettson inc.
3400 Industrial Boulevard
Sherbrooke, Quebec - Canada
J1L 1V8

TABLE OF CONTENTS

1.0	SAFETY	3
1.1	DANGER, WARNING AND CAUTION.....	3
1.2	IMPORTANT INFORMATION.....	3
1.3	DANGER OF FREEZING.....	3
2.0	INSTALLATION	3
2.1	POSITIONING THE FURNACE.....	4
2.2	CLEARANCES TO COMBUSTIBLE MATERIAL....	4
2.2.1.	Heating unit.....	4
2.2.2.	Supply air ducts.....	4
2.3	CONFIGURATIONS.....	4
2.3.1.	Upflow installation.....	4
2.3.2.	Downflow installation.....	4
2.3.3.	Horizontal installation.....	4
2.4	ELECTRICAL SYSTEM.....	5
2.5	INSTALLATION OF THE THERMOSTAT.....	5
2.5.1.	Thermostat heat anticipator adjustment.....	5
2.5.2.	Ducts and filters.....	5
2.6	SUPPLY AIR ADJUSTMENTS AND OTHER BLOWER SETTINGS.....	6
2.6.1.	HEAT KW/CFM adjustment.....	6
2.6.2.	AC/HP size.....	6
2.6.3.	System type.....	6
2.6.4.	AC/HP CFM adjust.....	7
2.6.5.	ON/OFF delay.....	7
2.6.6.	Continuous fan.....	7
2.6.7.	Low-voltage circuit.....	7
2.6.8.	Basic furnace configuration.....	7
2.7	INSTALLATION OF ACCESSORIES.....	7
2.7.1.	Humidifier and humidistat connection.....	7
2.7.2.	Electronic Air Cleaner (EAC) connections.....	8
2.7.3.	Dehumidify capability with standard humidistat connection.....	8
2.7.4.	Use of a heat pump.....	8
3.0	OPERATION	8
3.1	START-UP.....	8
3.2	USE OF MANUAL FURNACE CONTROLS.....	8
3.3	OPERATING SEQUENCE.....	9
3.3.1.	Continuous fan.....	9
3.3.2.	Cooling - 1 stage.....	9
3.3.3.	Cooling - 2 stages.....	9
3.3.4.	Cooling - dehumidification.....	9
3.3.5.	Electric heat heating - 1 stage.....	9

3.3.6.	Electric heat heating - 2 stages.....	9
3.3.7.	Heat pump heating – 1 stage.....	9
3.3.8.	Heat pump heating - 2 stages.....	9
3.4	AIRFLOW VERIFICATION.....	9
3.4.1.	Supply Air Temperature Rise Test.....	9
3.4.2.	High limit verification.....	10
4.0	MAINTENANCE	10
4.1	AIR FILTER.....	10
4.2	MOTOR LUBRICATION.....	10
5.0	FURNACE INFORMATION	10

TABLES

Table 1 :	Sequence of operation.....	11
Table 2 :	Technical Specifications.....	12
Table 3 :	Air flow (CFM) - ECM ½ HP motor.....	14
Table 4 :	Air flow (CFM) - ECM 1.0 HP motor.....	15
Table 5 :	PARTS LIST, Supreme with ECM : SUPxx-E230V1 or SUPxx-E230V2.....	17

FIGURES

Figure 1 :	Upflow installation.....	4
Figure 2 :	Downflow installation.....	4
Figure 3 :	Horizontal installation.....	4
Figure 4 :	1-stage thermostat, heating only.....	5
Figure 5 :	2-stage thermostat, heating only.....	5
Figure 6 :	1 stage thermostat, heating and cooling application.....	5
Figure 7 :	2-stage heating and 1-stage air conditioning & heat pump thermostat.....	5
Figure 8 :	2-stage heating and 2-stage air conditioning & heat pump thermostat + dehumidification.....	6
Figure 9 :	Fan Control Board.....	6
Figure 10 :	Standard humidistat connections.....	8
Figure 11 :	Thermostat connections.....	8
Figure 12 :	Electronic air cleaner connections.....	8
Figure 13 :	Manual Furnace Controls.....	8
Figure 14 :	Furnace dimensions.....	12
Figure 15 :	Wiring diagram.....	13
Figure 16 :	PARTS LIST, Supreme with ECM : SUPxx-E230V1 or SUPxx-E230V2.....	16

1.0 SAFETY

1.1 DANGER, WARNING AND CAUTION

The words DANGER, WARNING and CAUTION are used to identify the levels of seriousness of certain hazards. It is important that you understand their meaning. You will notice these words in the manual as follows:



DANGER

Immediate hazards which **WILL** result in death or serious bodily and/or material damage.



WARNING

Hazards or unsafe practices which **CAN** result in death or serious bodily and /or material damage.



CAUTION

Hazards or unsafe practices which **CAN** result in minor bodily and /or material damage.

1.2 IMPORTANT INFORMATION



WARNING

Non-observance of the safety regulations outlined in this manual will potentially lead to consequences resulting in death, serious bodily injury and/or property damage.



WARNING

Installation and repairs performed by unqualified persons can result in hazards to them and to others. Installations must conform to local codes or, in the absence of same, to codes of the country having jurisdiction.

The information contained in this manual is intended for use by a qualified technician, familiar with safety procedures and who is equipped with the proper tools and test instruments.

Failure to carefully read and follow all instructions in this manual can result in death, bodily injury and/or property damage.

- a. It is the homeowner's responsibility to engage a qualified technician for the installation and subsequent servicing of this furnace;
- b. Do not use this furnace if any part of it was under water. Call a qualified service technician immediately to assess the damage and to replace all critical parts that were in contact with water;
- c. Do not store gasoline or any other flammable substances, such as paper, carton, etc. near the furnace;
- d. Never block or otherwise obstruct the filter and/or return air openings;

- e. Ask the technician installing your furnace to show and explain to you the following items:
 - i. The main disconnect switch or circuit breaker;
 - ii. The air filter and how to change it (check monthly and clean or replace if necessary);
- f. Before calling for service, be sure to have the information page of your manual close by in order to be able to provide the contractor with the required information, such as the model and serial numbers of the furnace.

IMPORTANT: All local and national code requirements governing the installation of central electric heating equipment, wiring and the flue connection **MUST** be followed. Some of the codes that may apply are:

ANSI/NFPA 70: National Electrical Code

CSA C22.1 or CSA C22.10: Canadian Electrical Code

Only the latest issues of these codes may be used, and are available from either:

The National Fire Protection Agency
1 Batterymarch Park
Quincy, MA 02269

or

The Canadian Standards Association
178 Rexdale Blvd.
Rexdale, Ontario M9W 1R3

1.3 DANGER OF FREEZING



CAUTION

If your furnace is shut down during the cold weather season, water pipes may freeze, burst and cause serious water damage. Turn off the water supply and bleed the pipes.

If the heater is left unattended during the cold weather season, take the following precautions:

- a. Close the main water valve in the house and purge the pipes if possible. Open all the faucets in the house;
- b. Ask someone to frequently check the house during the cold weather season to make sure that there is sufficient heat to prevent the pipes from freezing. Tell this person to call an emergency number if required.

2.0 INSTALLATION

This furnace is a true multi-position unit, in that it will function in an upflow, downflow or horizontal configuration to the left or the right. Only a few modifications are required during installation to change from one position to another. The unit is shipped in the upflow configuration and instructions as to how to change to the other positions are included in this manual.

The unit requires a 240VAC power supply to the control panel, thermostat hook-up as shown on the wiring diagram and suitable air ductwork.

The louvers at air supply can be adjusted depending static pressure or desired airflow or temperature differential. To adjust the louvers, push green levers and engage tack to

another hole. It is suggested to place both louvers at the same position to insure uniform air distribution through the elements.

2.1 POSITIONING THE FURNACE

If the furnace is installed in a basement or on a dirt floor, in a crawl space for example, it is recommended to install the unit on a cement base 2.5 cm to 5.0 cm (1" to 2") thick.

WARNING

Fire and explosion hazard.
The furnace must be installed in a level position, never where it will slope toward the front.
Do not store or use gasoline or any other flammable substances near the furnace.
Non-observance of these instructions will potentially result in death, bodily injury and/or property damage.

CAUTION

This furnace is not watertight and is not designed for outdoor installation. It must be installed in such a manner as to protect its electrical components from water. Outdoor installation will lead to a hazardous electrical condition and to premature failure of the equipment.

The unit must be installed in an area where the ambient and return air temperatures are above 15°C (60°F). In addition, the heater should also be located close to the center of the air distribution system.

2.2 CLEARANCES TO COMBUSTIBLE MATERIAL

2.2.1. Heating unit

The furnace is approved for zero clearance to combustible material regardless of the heating capacity.

2.2.2. Supply air ducts

Ducts for furnaces with a heating capacity up to and including 20 kW, can be installed with a zero clearance to combustible material.

Ducts for furnaces of 23 kW or more must have a clearance of 25 mm (1") to combustible material for the first 0.9 m (36") of duct. Thereafter the clearance can be zero.

Units of 23 kW and up, installed in the downflow position must use a DFB-FEM downflow base, which is especially designed for this purpose. It ensures that the required clearances are being adhered to.

2.3 CONFIGURATIONS

2.3.1. Upflow installation

The return air opening may be located on either side of the furnace. Care should be taken not to damage the wires inside, while cutting the opening. Install the filter rack supplied with the unit according to the instructions provided

with it. It is also recommended to install the blower door before handling or moving the unit. Refer to Figure 1 for additional details.

2.3.2. Downflow installation

When the furnace is installed in the downflow position on a combustible floor, the clearances from combustibles materials must be adhered to. The downflow base DFB-FEM can be used to ensure these clearances. Refer to Figure 2 and the installation instructions provided with the base.

Figure 1 : Upflow installation

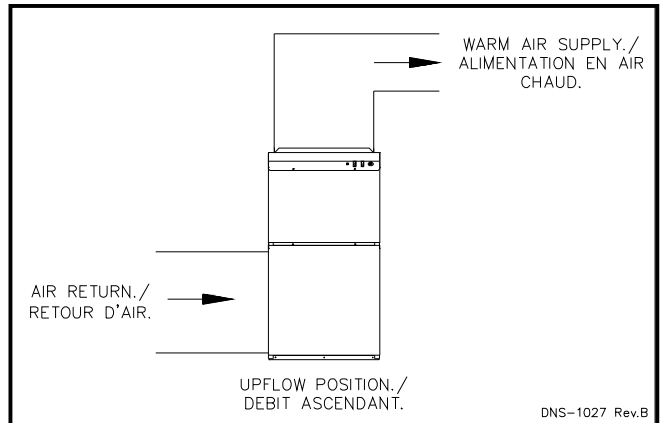
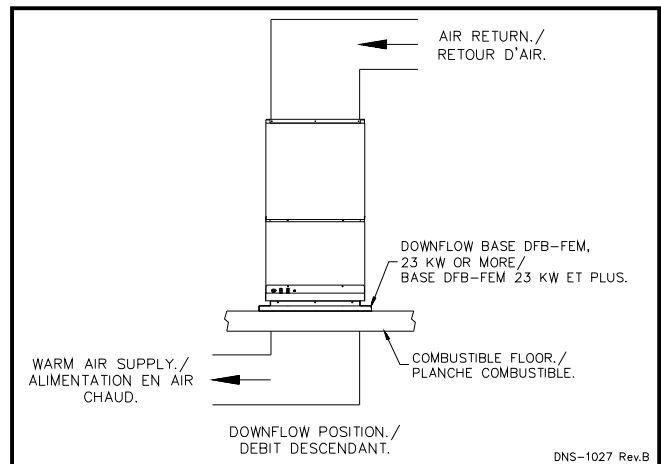


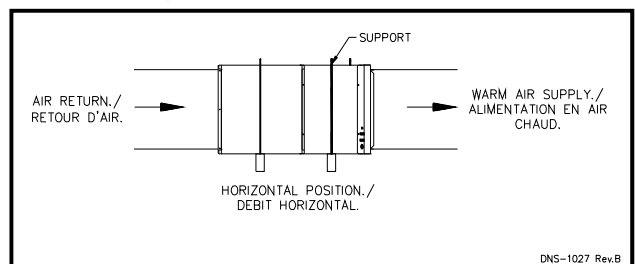
Figure 2 : Downflow installation



2.3.3. Horizontal installation

When the furnace is installed in the horizontal position, either suspended or on a combustible floor with a choice of right or left discharge, the clearances from combustible material must be adhered to. Refer to Figure 3 for additional details.

Figure 3 : Horizontal installation



2.4 ELECTRICAL SYSTEM

The **SUPREME** furnace is completely pre-wired and all field wiring must be connected to the terminal blocks on the unit. It requires a 240 volt, 2-wire power supply.



WARNING

Risk of fire.

The conductor sizing must conform to the last edition of the local or national codes.

Failure to follow this rule can result in death, bodily injury and/or property damage.

Power supply to the unit can be done using copper or aluminum wires. The wire size must be decided in accordance to unit power consumption, the over current protection type and capacity, the wire type and length, and the environment where the unit is installed. If an aluminum wire is used, other precautions must be taken to insure the conformity of the installation. In all cases, all the factors affecting the wire gauge must be considered and the installation codes followed.

The exterior of the unit must have an uninterrupted ground to minimize the risk of bodily harm. A ground terminal is supplied with the control box for that purpose.

In the event that wires inside the unit require replacement, these must be copper wires only with same temperature rating as originals.

2.5 INSTALLATION OF THE THERMOSTAT

A thermostat must be installed to control the temperature of the area to be heated. Follow the instructions supplied with the thermostat. Some thermostat need to connect the C terminal on the furnace and thermostat. Install the thermostat on an interior wall in a location where it will not be subject to direct sun light, lamps, air diffusers, fireplaces, etc. Seal openings in walls to avoid air currents that may influence the operation of the thermostat. Also refer to the wiring diagrams provided with the heating/air conditioning unit. The connections must be made as indicated on the following diagrams and the electrical diagram (Figure 15).

Figure 4 : 1-stage thermostat, heating only

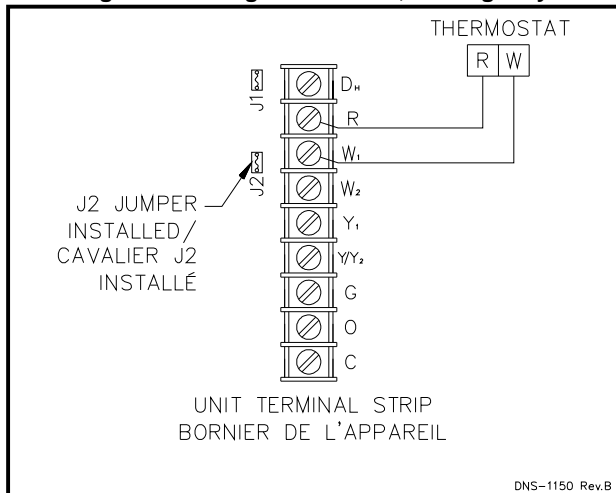


Figure 5 : 2-stage thermostat, heating only

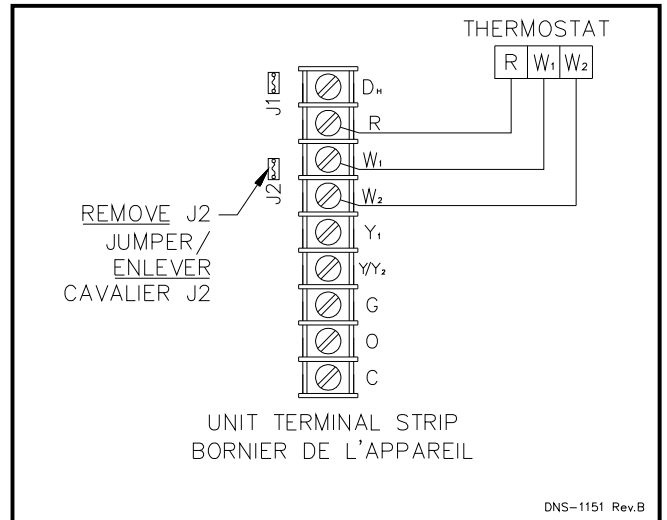


Figure 6 : 1 stage thermostat, electric heat and cooling application

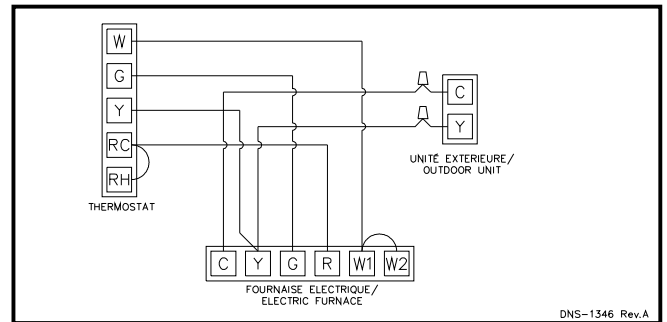
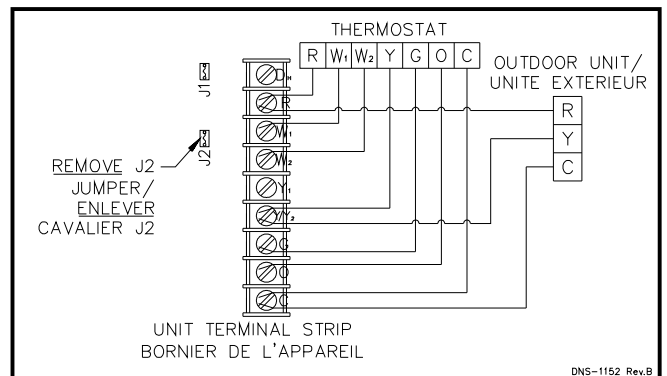


Figure 7 : 2-stage heating & 1-stage air conditioning & heat pump thermostat



2.5.1. Thermostat heat anticipator adjustment

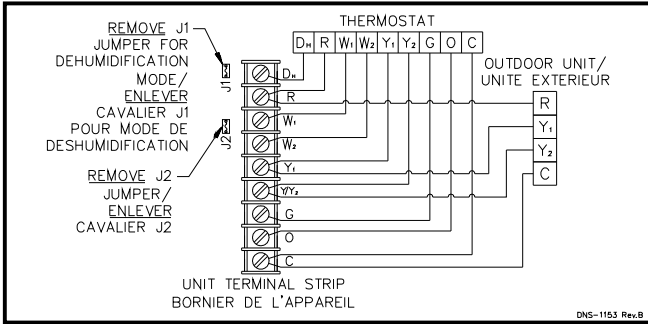
Certain thermostats are equipped with a heat anticipator that must be adjusted according to the instructions supplied. This is to ensure that the heating mode is comfortable and economical.

Generally speaking, on a single stage thermostat, a reading of the current must be taken with an ammeter as follows:

1. Move the anticipator to its highest setting, rendering it ineffective.

- Remove the wire from the "W1" terminal and connect an ammeter between the terminal and the wire.

Figure 8 : 2-stage heating & 2-stage air conditioning & heat pump thermostat + dehumidification mode



- Call for heat by raising the set point on the thermostat and allow the furnace to run for 3 to 4 minutes to reach its peak output.
- Once the current has stabilized, a reading should be taken and the anticipator adjusted to that value. If longer heating cycles are desired, the anticipator can be set to a higher value

2.5.2. Ducts and filters

The ducts must be sized such a way as to accommodate the specified airflow and the available static pressure. Refer to the applicable local and/or national installation codes.

Insulate the ducts that lead through non-heated areas. Use flexible supply and return air connectors to avoid the transmission of vibration. To make the unit run even quieter, the installer should:

- Use two elbows between each outlet and the supply and return air plenum;
- Cover the vertical sections of the supply and return air duct with soundproofing material;
- Use baffles in short radius elbows;
- Use flexible hangers to suspend the ducts.

The **SUPREME** furnace is equipped with a filter frame for the blower compartment. It must be installed on the outside of one of the three sides or the bottom of the furnace. Once the location of the installation has been determined, use the four square knockouts for ease of cutting the opening.

A heat pump or an air conditioner can be added to this furnace, in either the supply or return air duct. Carefully follow the instructions provided with these appliances to ensure proper installation and hook-up to the electric furnace. Refrigerant and drainage pipes must in no way hinder access to the furnace panels.

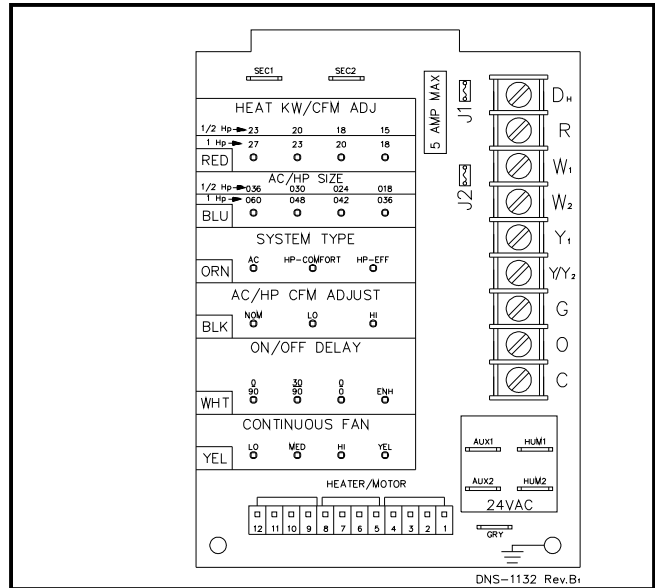
2.6 SUPPLY AIR ADJUSTMENTS AND OTHER BLOWER SETTINGS

Fan Control Board taps are used by the installer to configure a system. The ECM motor uses the selected taps to modify its operation to a pre-programmed table of airflows (Refer to Table 3 and Table 4). Airflows are based on system size or mode of operation and those airflows are modified in response to thermostat inputs.

SUP electric furnace must be configured to operate properly with system components with which it is installed. To

successfully configure a basic system (see information printed on circuit board label located next to select pins), move the 6 select wires to the pins which match the components used. (Refer to Figure 9 below)

Figure 9 : Fan Control Board



2.6.1. HEAT KW/CFM adjustment

Installer must verify (factory set) the electric heat airflow adjustment required for kW size heater installed.

The select pins are marked 23, 20, 18, 15 (for 1/2 HP ECM motor unit) and 27, 23, 20, 18 (for 1.0 HP ECM motor unit). Refer to the unit wiring diagram and select the pin for the heater size being used (Refer to Figures 9 and 15).

The airflow must be large enough for safe and continuous operation. (Refer to Table 3 and 4 for airflow delivery CFM).

2.6.2. AC/HP size

Select System Size Installed

The factory setting for air conditioner or heat pump size is the largest outdoor unit that can be used with the furnace. Installer needs to select air conditioner or heat pump size to ensure that airflow delivered falls within proper range for the size unit installed.

The select pins are marked 036, 030, 024, 018 for furnace equipped with 1/2 HP ECM motor and 060, 048, 042, 036 for furnace equipped with 1.0 HP ECM motor. Refer to the unit wiring diagram and select the pin for the outdoor unit size being used (Refer to Figures 9 and 15).

2.6.3. System type

Select System Type Installed AC or HP

The type of system must be selected:

- AC – Air Conditioner provides approximately 400 CFM per ton for greater efficiency and humidity control with the AC/HP CFM ADJUST set to the nominal (NOM) tap. To achieve more or less than 400 CFM per ton, move tap to (HI) or (LO) position respectively. Refer to appropriate airflow tables for exact CFM setting.

2. HP-COMFORT – Heat Pump Comfort provides approximately 350 CFM per ton for higher than normal heating air delivery temperature.
3. HP-EFF – Heat Pump Efficiency provides same airflow for heating and cooling modes to increase overall HP efficiency; approximately 400 CFM per ton with the AC/HP CFM ADJUST set to the nominal (NOM) tap.

The factory setting is AC (Refer to Figures 9 and 15).

2.6.4. AC/HP CFM adjust

Select Medium, Low, or High Airflow

To provide airflow at rates described above, the AC/HP ADJUST select is factory set to the nominal (NOM) tap. The adjust selections HI/LO will regulate airflow supplied for all operational modes.

HI provides 10% airflow over nominal unit size selected and LO provides 10% airflow below nominal unit size selected.

Adjust selection options are provided to adjust airflow supplied to meet individual installation needs for such things as noise, comfort, and humidity removal. (Refer to Figures 9 and 15)

2.6.5. ON/OFF delay

Select desired time delay profile

NOTE: Delay selections are active in cooling and heat pump heating modes only. Electric heating modes have a one (1) minute OFF delay at 50% airflow and zero (0) ON delay programmed into the ECM motor that cannot be overridden.

Four (4) motor operation delay profiles are provided to customize and enhance system operation. (Refer to Figures 9 and 15).

Selection options are:

1. 0/90: No ON delay and 90 second OFF delay at 100% airflow (factory setting).
2. 30/90: 30 second ON delay with no airflow and 90 second OFF delay at 100% airflow profile. Used when it is desirable to allow system coils time to heat-up/cool-down in conjunction with the airflow.
3. 0/0: No delay option. Used for servicing unit or when a thermostat is utilized to perform delay functions.
4. ENH: enhanced selection provides a 30 second ON delay with no airflow followed by 150 seconds at 70% airflow, and no OFF delay for added comfort. This profile will minimize cold blow in heat pump operation and could enhance system efficiency.

2.6.6. Continuous fan

NOTE: If installed with a two-stage outdoor unit, do not select HI speed continuous fan. If HI is selected, low stage compression will also run HI fan speed possibly resulting in insufficient dehumidification.

Select desired fan speed when thermostat is set on continuous fan. (Refer to Figures 9 and 15)

1. LO speed – factory setting, 50% cooling mode airflow.
2. MED speed – move connector to MED, 80% cooling mode airflow.

3. HI speed – move connector to HI, 100% cooling mode airflow.

2.6.7. Low-voltage circuit

Fusing and Reference

The low-voltage circuit is fused by a board-mounted 5-amp automotive fuse placed in series with the transformer SEC2 and the R circuit. The C circuit of the transformer is referenced to chassis ground through a printed circuit run at SEC1 connected to metal standoff marked with ground symbol.

2.6.8. Basic furnace configuration

The following basic configuration of the furnace will provide ARI rated performance of an air conditioner:

1. HEAT KW/CFM – Select the heater range for the size electric heater installed.
2. AC/HP SIZE – Select system size installed.
3. SYSTEM TYPE – Select system type AC
4. AC/HP CFM ADJUST – Select NOM.
5. ON/OFF DELAY – Select 0/90 profile.
6. CONTINUOUS FAN – Select desired fan speed when thermostat is set to continuous fan.

The following basic configuration of the furnace will provide ARI rated performance of a heat pump:

1. HEAT KW/CFM – Select the heater range for the size electric heater installed.
2. AC/HP SIZE – Select system size installed.
3. SYSTEM TYPE – Select system type HP-EFF
4. AC/HP CFM ADJUST – Select NOM.
5. ON/OFF DELAY – Select 0/90 profile.
6. CONTINUOUS FAN – Select desired fan speed when thermostat is set to continuous fan.

2.7. INSTALLATION OF ACCESSORIES



WARNING

Electrical shock hazard.

Turn OFF electrical power at the fuse box or service panel before making any electrical connections and ensure a proper ground connection is made before connecting line voltage.

Failure to do so can result in death or bodily injury.

2.7.1. Humidifier and humidistat connection

Fan Control Board terminals HUM1 (directly connected internally to C on terminal block) and HUM2 (directly connected internally to G on terminal block) are provided for direct connections to the low-voltage control of a humidifier through a standard humidistat (refer to Figure 10). These terminals are energized with 24 VAC when G thermostat signal is present. Alternately, the 24 VAC signal may be sourced from the W1 and C terminal block connections when electric heaters are used as a primary heating source (refer to Figure 11).

Figure 10 : Standard humidistat connections

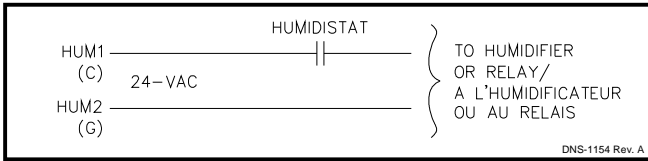
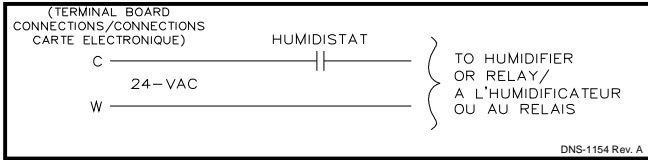


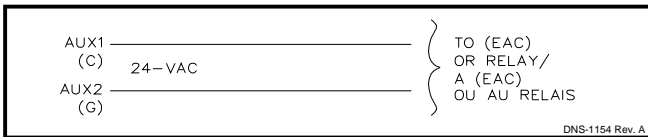
Figure 11 : Thermostat connections



2.7.2. Electronic Air Cleaner (EAC) connections

Fan Control Board terminals AUX1 (directly connected internally to C on terminal block) and AUX2 (directly connected internally to G on terminal block) are provided for direct connections to the low-voltage control of an electronic air cleaner. These terminals are energized with 24 VAC when G thermostat signal is present (refer to Figure 12).

Figure 12 : Electronic air cleaner connections



2.7.3. Dehumidify capability with standard humidistat connection

Latent capacities for systems using this unit are better than average systems. If increased latent capacity is an application requirement, the field wiring terminal block provides a connection terminal (DH) for use of a standard humidistat. The furnace control will detect the humidistat contact opening on increasing humidity and reduce its airflow to approximately 80% of nominal cooling mode airflow. This reduction will increase the system latent capacity until the humidity falls to a level which causes the humidistat contact to close its contacts.

2.7.4. Use of a heat pump

When using a heat pump, a thermostat with dial fuel option or a fossil fuel kit is required that prevents the operation of the electric elements and the heat pump at the same time. Refer to the instructions provided with the thermostat or the "Fossil Fuel" kit for the proper wiring of the furnace and the heat pump.

The simultaneous operation of the electric elements and the heat pump will cause overheating of either unit. The safety controls of the appliances will shut down the elements or heat pump, since they are not designed to function in this fashion.

3.0 OPERATION

3.1 START-UP

Before starting up the unit, be sure to check that the following items are in compliance:

1. The electrical installation and ventilation;
2. The blower access door is in place and the blower rail locking screws are well tightened;
3. The blower speed adjustments for heating and air conditioning are appropriate and according to the specifications in this manual;
4. The thermostat of the room is in the heating mode and is set higher than the ambient temperature.
5. The breakers on front panel are closed (green indicator)

To start the unit, turn the main electrical switch on.

3.2 USE OF MANUAL FURNACE CONTROLS

When there is a demand for heat, the pilot light ("L-1") comes on. Refer to the wiring diagram.

When the "HI/LO" switch is put into the "LO" position, it will shut down approximately half the elements.

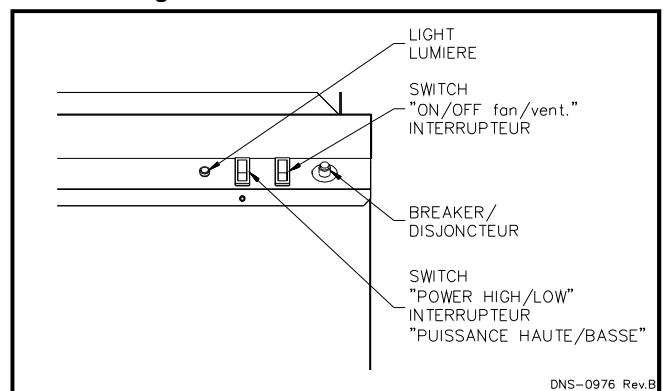
However, it is important to put the switch back to the "HI" position during the winter months to ensure adequate heating.

Also, this switch must remain in the "HI" position when a 2-stage or outdoor thermostat is used to control the electric elements of the second stage. Refer to the diagram in Section 2.5) above (Typical 24 VAC Wiring, Thermostat).

The "ON/OFF VENT/FAN" switch engages the blower in the continuous speed mode. This will filter the air and provide for better air distribution in the building.

The circuit breaker is there to protect the motor and control circuit conductors. If the unit does not function, press the circuit breaker button to see if it may have disengaged due to a power surge. If the breaker has to be pressed again, the unit must be checked by a qualified service technician.

Figure 13 : Manual Furnace Controls



3.3 OPERATING SEQUENCE

This unit is designed to provide the required airflow in order to match with any of four (4) different electronic heat capacity, air conditioner or heat pump outdoor unit sizes (see Tables 3 and 4 for CFM values).

Also, the blower motor is a true variable speed motor designed to deliver constant CFM. Constant CFM is valid for systems with total external static pressure between 0.1 and 0.7 inches water column.

Refer also to Table 1 for sequence of operation summary, depending on thermostat inputs and types.

3.3.1. Continuous fan

- Thermostat closes circuit R to G.
- Blower runs at continuous fan airflow.

3.3.2. Cooling mode – single stage

- If indoor temperature is above temperature set point and humidity is below humidity set point, thermostat closes circuits R to G, R to Y/Y2 and R to O.

NOTE: For single stage systems, do not use the Y1 terminal.

- Furnace delivers single stage cooling airflow.

3.3.3. Cooling mode – two stage

- First stage (low) cooling: Thermostat closes circuits R to G, R to O, and R to Y1.
- Furnace delivers low stage cooling airflow.
- Second stage (high) cooling: Thermostat closes circuits R to G, R to O, R to Y1 and R to Y/Y2.
- Furnace delivers high stage cooling airflow.

3.3.4. Cooling mode – dehumidification

NOTE: Remove jumper « J1 » on board to activate this function. (Refer to Figures 9 and 15)

- If indoor temperature is above temperature set point and humidity is above humidity set point, thermostat closes circuits R to G, R to Y/Y2 and R to O and humidistat opens circuit R to DH.
- The furnace delivers airflow which is approximately 80% of the nominal cooling airflow to increase the latent capacity of the system.

3.3.5. Electric heat heating mode – 1 stage

- Thermostat closes circuit R to W1 or W2.
- Furnace delivers the selected electric heat airflow and maximum heating capacity is powered starting the heating elements in sequence with a delay of 8 seconds between each.

3.3.6. Electric heat heating mode – 2 stage

NOTE: Remove jumper « J2 » on board to activate this function. (Refer to Figures 9 and 15)

- First stage heating: thermostat closes circuit R to W1.
- Furnace delivers low stage heating airflow (50% of nominal electric heating airflow) and approximately half of the heating capacity is powered starting the heating elements in sequence with a delay of 8 seconds between each.

- Second stage heating: thermostat closes circuit R to W2.
- Furnace delivers high stage heating airflow (100% of nominal electric heating airflow) and maximum heating capacity is powered starting the heating elements in sequence with a delay of 8 seconds between each.

3.3.7. Heat pump heating mode – single stage

- Thermostat closes circuits R to G and R to Y/Y2.

NOTE: For single stage systems, do not use the Y1 terminal.

- Furnace delivers single stage heat pump heating airflow.

3.3.8. Heat pump heating mode – two stage

- First stage (low) heating: Thermostat closes circuits R to G and R to Y1.
- Furnace delivers low stage heating airflow.
- Second stage (high) heating: Thermostat closes R to G, R to Y1 and R to Y/Y2.
- Furnace delivers high stage heating airflow.



WARNING

ELECTRICAL SHOCK or UNIT DAMAGE HAZARD

Failure to carefully read and follow this WARNING could result in equipment malfunction, property damage, personal injury and/or death.

Disconnect power to unit before removing or replacing connectors or servicing motor. Wait at least five (5) minutes after disconnecting power before handling.

3.4 AIRFLOW VERIFICATION

Verify the airflow by taking readings of the following points, while the elements are in the heating mode:

- Total amperage of all the heating elements;
- Voltage at the furnace;
- Supply air temperature. The point of the reading must not be affected by radiant heat from the elements;
- Return air temperature.

From these readings, one can arrive at an approximate calculation of the average airflow. To do that, the following formula should be used:


$$\text{Liter/s} = \frac{0.82 \times \text{amps.} \times \text{volts}}{\text{Diff. temperature } ^\circ\text{C}}$$

$$\text{CFM} = \frac{3.1 \times \text{amps.} \times \text{volts}}{\text{Diff. temperature } ^\circ\text{F}}$$

3.4.1. Supply Air Temperature Rise Test

1. Operate the unit at maximum power for at least 10 minutes;
2. Measure the air temperature in the return air plenum;
3. Measuring the air temperature in the largest trunk coming off the supply air plenum, just outside the range of radiant heat from the heat exchanger. 0.3 m (12") from the plenum of the main take-off is usually sufficient;

4. The temperature rise is calculated by subtracting the return air temperature from the supply air temperature. If the temperature rise exceeds the temperature specified ($\pm 5^{\circ}\text{F}$) in Table 2, move the "AC/HP CFM ADJUST" black wire to high (HI) position. If the excessive temperature rise cannot be reduced by increasing fan speed, investigate for ductwork obstructions or dirty and improper air filter.

 **CAUTION**

It is important to check the airflow and to ascertain that the unit does not operate above the temperatures specified in the Technical Specifications (Table 2). This is particularly important if a cooling coil or a heat pump has been installed in the ducts.

Hi-Limit thermal protectors should never need to engage during the normal functioning of the appliance. They are strictly designed to engage during the improper functioning of the blower or when the filter was improperly maintained.

3.4.2. High limit verification

After operating the furnace for at least 15 minutes, restrict the return air supply by blocking the filters or the return air register and allow the furnace to shut off on High Limit. The electric heaters must deactivate themselves one by one before the warm air temperature exceeds 200°F

Remove the obstruction and the elements should restart after a few minutes.

4.0 MAINTENANCE

Preventive maintenance is the best way to avoid unnecessary expense and inconvenience. Have your heating system inspected by a qualified service technician at

5.0 FURNACE INFORMATION

Model: _____ Serial number: _____

Furnace installation date: _____

Service telephone # - Day: _____ Night: _____

Dealer name and address: _____

START-UP RESULTS

Voltage: _____

Total current consumed by the elements: _____

Supply air temperature: _____

Return air temperature: _____

Supply air duct static pressure: _____

Return air duct static pressure: _____


Total pressure: _____

Calculated air flow: _____

Current consumed by the blower motor: _____

Current consumed by the accessories: _____

regular intervals. Do not attempt to repair the furnace or its controls. Call a qualified service technician.

 **WARNING**

Electrical shock hazard.

Turn OFF power to the furnace before any disassembly or servicing.

Failure to do so can result in death, bodily injury and/or property damage.

- Before calling for repair service, check the following points:
1. Check fuses or the circuit breaker;
 2. Check if the 15 A circuit breaker on the furnace is disengaged;
 3. Check the 5A fuse on the control board;
 4. Set the thermostat higher than room temperature. If the unit does not start up, cut the power and call a qualified service technician.

When calling for service or ordering a replacement part, specify the model and serial number of your appliance.

4.1 AIR FILTER

The filter supplied with the unit is the disposable type and should be replaced twice a year. The presence of animal hair, dust, etc. may necessitate more frequent changes. Dirty filters have an adverse effect on the performance of the central heating system.

4.2 MOTOR LUBRICATION

Do not lubricate the blower motor, since it is permanently lubricated.

Table 1 : Sequence of operation

Mode	Thermostat to Control Board 24 VAC	Control State	Control Function
Electric Heat only			
Continous Fan (Fan switch ON)	G	ON	Fan ON at the selected continous fan CFM
		OFF	Fan OFF
Thermostat calls for 1st stage Heat	W1 ▼	ON	Fan ON at 50% of the selected Heat CFM, 1st stage of Heat ON**
		OFF	1st stage of Heat OFF, Fan OFF
Thermostat calls for 2nd stage Heat	W1 & W2 ▼	ON	Fan ON at selected Heat CFM, 1st stage & 2nd stage of Heat ON**
		OFF	1st stage & 2nd stage of Heat OFF, Fan OFF
Cooling 1 stage, with Electric Heat			
Continous Fan (Fan switch ON)	G	ON	Fan ON at the selected continous fan CFM
		OFF	Fan OFF
Thermostat calls for 1st stage Heat	W1 ▼	ON	Fan ON at 50% of the selected Heat CFM, 1st stage of Heat ON**
		OFF	1st stage of Heat OFF, Fan OFF
Thermostat calls for 2nd stage Heat	W1 & W2 ▼	ON	Fan ON at selected Heat CFM, 1st stage & 2nd stage of Heat ON**
		OFF	1st stage & 2nd stage of Heat OFF, Fan OFF
Thermostat calls for Cooling	Y/Y2 & G	ON	Compressor ON, Fan ON after delays at selected Cooling CFM
		OFF	Compressor OFF, Fan OFF after selected cooling delays
Thermostat calls for Cooling & Dehumidification	Y/Y2 & G & (DH)*	ON	Compressor ON, Fan ON after delays at 80% of the selected Cooling CFM
		OFF	Compressor OFF, Fan OFF after selected cooling delays
Cooling 2 stages, with Electric Heat			
Continous Fan (Fan switch ON)	G	ON	Fan ON at the selected continous fan CFM
		OFF	Fan OFF
Thermostat calls for 1st stage Heat	W1 ▼	ON	Fan ON at 50% of the selected Heat CFM, 1st stage of Heat ON**
		OFF	1st stage of Heat OFF, Fan OFF
Thermostat calls for 2nd stage Heat	W1 & W2 ▼	ON	Fan ON at selected Heat CFM, 1st stage & 2nd stage of Heat ON**
		OFF	1st stage & 2nd stage of Heat OFF, Fan OFF
Thermostat calls for 1st stage Cooling	Y1 & G	ON	Compressor ON, Fan ON after delays at 80% of the selected Cooling CFM
		OFF	Compressor OFF, Fan OFF after selected cooling delays
Thermostat calls for 2nd stage Cooling	Y/Y2 & Y1 & G	ON	Compressor ON, Fan ON after delays at selected Cooling CFM
		OFF	Compressor OFF, Fan OFF after selected cooling delays
Thermostat calls for 2nd stage Cooling & Dehumidification	Y/Y2 & Y1 & G & (DH)*	ON	Compressor ON, Fan ON after delays at 80% selected Cooling CFM
		OFF	Compressor OFF, Fan OFF after selected cooling delays
Heat pump 1 stage, with Electric Heat			
Continous Fan (Fan switch ON)	G	ON	Fan ON at the selected continous fan CFM
		OFF	Fan OFF
Thermostat calls for Cooling	Y/Y2 & G & O	ON	Compressor ON, Fan ON after delays at selected Cooling CFM
		OFF	Compressor OFF, Fan OFF after selected Cooling delays
Thermostat calls for Cooling & Dehumidification	Y/Y2 & G & O & (DH)*	ON	Compressor ON, Fan ON after delays at 80% of the selected Cooling CFM
		OFF	Compressor OFF, Fan OFF after selected cooling delays
Thermostat calls for 1st stage Heat (Heat pump heating mode)	Y/Y2 & G	ON	Compressor ON, Fan ON after delays at selected Heat Pump CFM
		OFF	Compressor OFF, Fan OFF after selected Heat Pump delays
Thermostat calls for 2nd stage Heat (Electric heat) Δ	W1 & W2 ▼	ON	Fan ON at selected Heat CFM, 1st stage & 2nd stage of Heat ON**
		OFF	1st stage & 2nd stage of Heat OFF, Fan OFF
Heat pump 2 stages, with Electric Heat			
Continous fan (Fan switch ON)	G	ON	Fan ON at the selected continous fan CFM
		OFF	Fan OFF
Thermostat calls for 1st stage Cooling	Y1 & G & O	ON	Compressor ON, Fan ON after delays at 80% of the selected Cooling CFM
		OFF	Compressor OFF, Fan OFF after selected cooling delays
Thermostat calls for 2nd stage Cooling	Y/Y2 & Y1 & G & O	ON	Compressor ON, Fan ON after delays at selected Cooling CFM
		OFF	Compressor OFF, Fan OFF after selected cooling delays
Thermostat calls for 2nd stage Cooling & Dehumidification	Y/Y2 & Y1 & G & (DH)*	ON	Compressor ON, Fan ON after delays at 80% of the selected Cooling CFM
		OFF	Compressor OFF, Fan OFF after selected cooling delays
Thermostat calls for 1st stage Heat (Heat pump heating mode)	Y1 & G	ON	Compressor ON, Fan ON after delays at 80% of the selected Heat Pump CFM
		OFF	Compressor OFF, Fan OFF after selected Heat Pump delays
Thermostat calls for 2nd stage Heat (Heat pump heating mode)	Y1 & Y/Y2 & G	ON	Compressor ON, Fan ON after delays at selected Heat Pump CFM
		OFF	Compressor OFF, Fan OFF after selected Heat Pump delays
Thermostat calls for 3rd stage Heat (Electric Heat) Δ	W1 & W2	ON	Fan ON at selected Heat CFM, 1st stage & 2nd stage of Heat ON**
		OFF	1st stage & 2nd stage of Heat OFF, Fan OFF

* The 24 VAC is removed is remove from DH when there is a call for dehumidification

** Electric heat elements are controlled by relays with a delay sequence from Rectifier timer board on the relays

Δ The thermostat must provide Dual Fuel option or a Fossil Fuel kit must be used (electric heat elements & Heat pump must not run at the same time)

▼ Jumper J2 on the electronic board provide connection between W1 & W2. Remove it for 2 stage Electric Heat using a 2 stages thermostat.

Table 2 : Technical Specifications

SPECIFICATIONS, SUP ELECTRIC FURNACE WITH ECM MOTOR					
RATINGS AND PERFORMANCE	SUPxx-E230V1			SUPxx-E230V2	
Power second stage (Kw)	15	18	20	23	27
Power first stage (Kw)	10	9	10	13	17
Net capacity second stage (BTU/h)	51180	61420	68240	78480	92130
Heating temperature rise, second stage heating (F) ¹	58	62	62	62	60
Heating temperature rise, first stage heating (F) ¹	78	62	62	70	75
ELECTRICAL SYSTEM					
Volts - Hertz - Phase	2 wires 240 - 60 - 1				
Electrical element #1 (Kw)	5	4	5	4	4
Electrical element #2 (Kw)	5	5	5	5	5
Electrical element #3 (Kw)	5	4	5	4	4
Electrical element #4 (Kw)		5	5	5	4
Electrical element #5 (Kw)				5	5
Electrical element #6 (Kw)					5
Blower motor Consumption (Amp)	4.3	4.3	4.3	9.1	9.1
Heating Elements Consumption (Amp)	61	74	82	94	111
Total Consumption (Amp)	65.3	78.3	86.3	103.1	120.1
Circuit amperage (wire sizing) ²	82	98	108	130	150
Maximum size circuit breaker (Amp) ²	90	100	110	150	150
BLOWER DATA					
Motor (HP) / Type	1/2 HP / ECM 2.3			1 HP / ECM 2.3	
Blower size	G10-8 or 100-8R			GT12010 or 120-10T	
GENERAL INFORMATION					
Overall dimensions (width x depth x height)	20" x 20" x 36.5"				
Supply	15" x 18"				
Return	19" x 19"				
Filter quantity and size	(1) 20" x 20"				
Shipping weight	48 Kg / 105 lbs				
Maximum cooling capacity	3 tons			5 tons	

- 1) Can be increase or decrease by +10% or -10% using "CFM adjust" option on the control board.
 2) Calculated on the basis of Norm C22.2 No.236

Figure 14 : Furnace dimensions

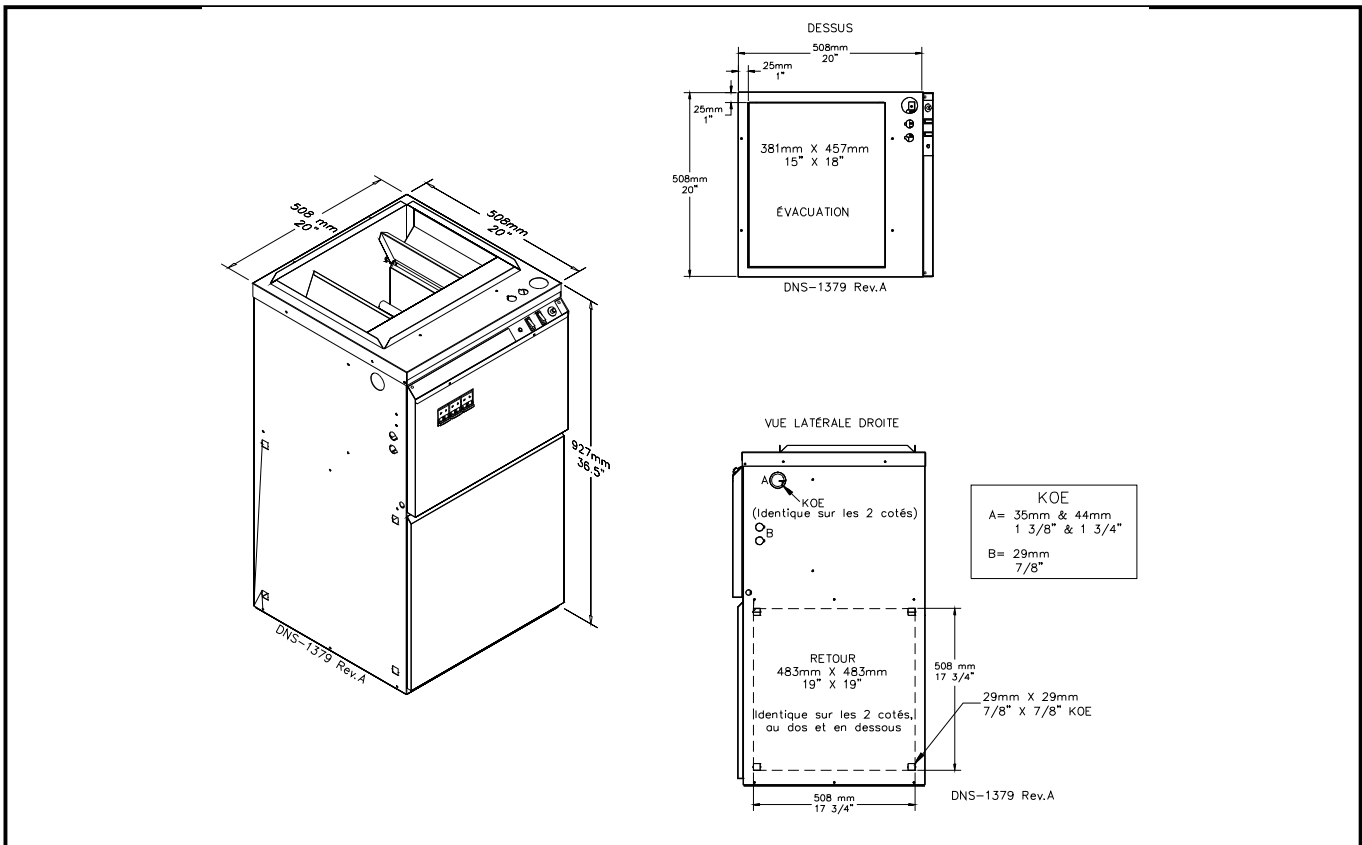
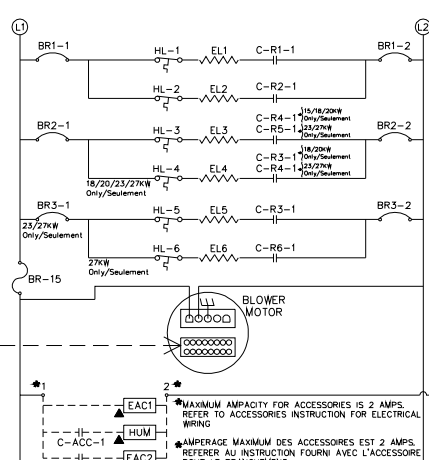


Figure 15 : Wiring diagram

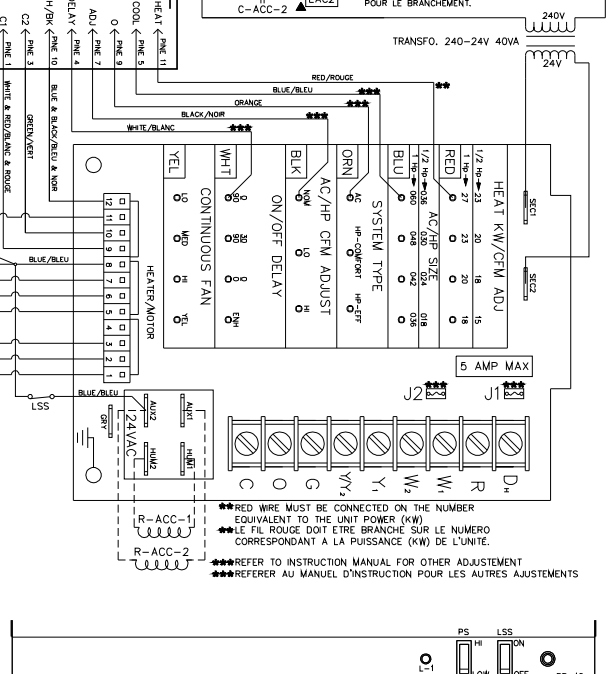
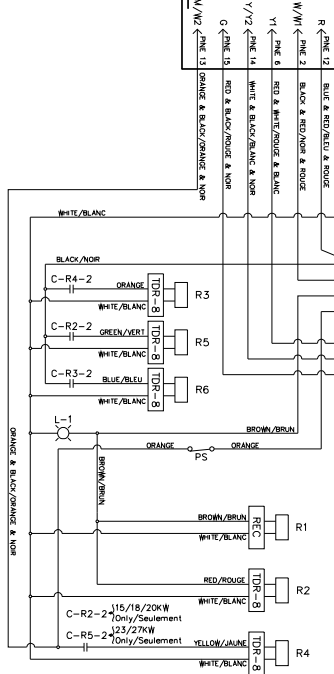
ELECTRICAL DIAGRAM (ECM) / DIAGRAMME ÉLECTRIQUE (ECM)

- HL: HIGH LIMIT/HAUTE LIMITE
- EL: ELECTRIC ELEMENT/ELEMENT ELECTRIQUE 4KW OR/OU 5KW
- R: RELAY COIL/BOBINE DU RELAIS
- C-R: RELAY CONTACT/CONTACT DU RELAIS
- REC: RECTIFIER 22 VDC/22 VDC REDRESSEUR
- TDR-5: TIME DELAY RECTIFIER 5 SEC/REDRESSEUR TEMPORISATEUR 5 SEC
- TDR-8: TIME DELAY RECTIFIER 8 SEC/REDRESSEUR TEMPORISATEUR 8 SEC
- R-ACC: ACCESSORIES RELAY COIL/BOBINE DE RELAIS D'ACCESSOIRES (FIELD SUPPLIED/FURNI SUR PLACE)
- C-ACC: ACCESSORIES RELAY CONTACT/CONTACT DU RELAIS D'ACCESSOIRES (FIELD SUPPLIED/FURNI SUR PLACE)
- LSS: LOW SPEED BLOWER SWITCH/INTERRUPTEUR BASSE VITESSE DU VENTILATEUR.
- HUM: HUMIDIFIER/HUMIDIFICATEUR

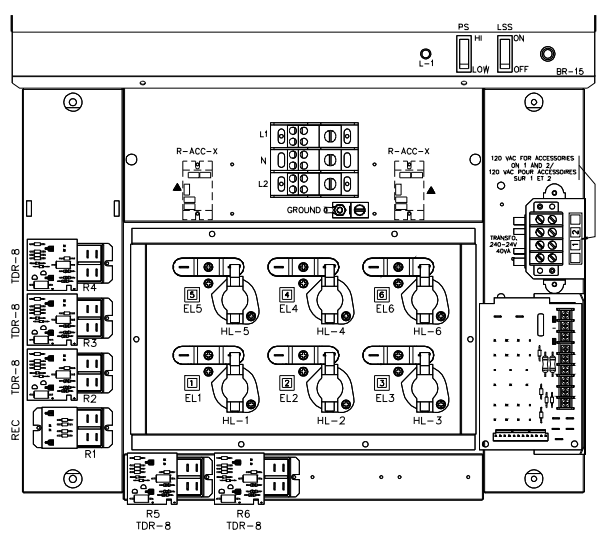
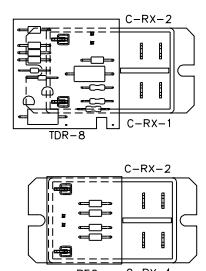
- AUX1/2 & HUM: 24VAC POWER FOR ACCESSORIES WHEN 24VAC TO "/>



SCHEMATIC INTERNAL WIRING



- FACTORY WIRING/CABLAGE EN USINE
- - - FIELD SUPPLY WIRING/CABLAGE SUR PLACE
- ▲ FIELD SUPPLY COMPONENTS/COMPONENTS FOURNIS SUR PLACE
- ◆ USE NEUTRAL (N) ONLY IF ELECTRIC POWER FOR ACCESSORIES (TERMINALS 1 & 2) IS REQUIRED/UTILISER LE NEUTRE (N) SEULEMENT SI L'ALIMENTATION ELECTRIQUE POUR ACCESSOIRE (BORNES 1 & 2) EST REQUISE



X04099 Rev.A

DNS-1377 Rev.A

Table 3 : Electric furnace SUP, ECM ½ HP motor, air flow tables

COOLING OR HEAT PUMP HEATING MODE (WITH HP-EFF SELECTED ▲) 24 VAC (R) input on G, Y/Y2 and O (for cooling)				
AC / HP SIZE Adjustment BLUE wire position	A/C size (TONS)	CFM ▼ AC/HP CFM ADJUST BLACK wire position = (NOM)	CFM ▼ AC/HP CFM ADJUST BLACK wire position = (LO)	CFM ▼ AC/HP CFM ADJUST BLACK wire position = (HI)
36	3.0	1200	1080	1320
30	2.5	1000	900	1100
24	2.0	800	720	880
18	1.5	600	540	660

▼ In Cooling - Dehumidification mode (with Jumper J1 remove), with no 24 VAC input to DH, the CFMs are reduced by 15%.

▼ The CFMs shown are reduced by 20% if there is 24 VAC input to Y1 only (Y/Y2 not powered)

▲ SYSTEM TYPE select to HP-EFF corresponds to 400 CFM/TONS - HP-COMFORT corresponds to 350 CFM/TONS

CONTINUOUS FAN 24 VAC (R) input on G only				
AC / HP SIZE Selection BLUE wire position	A/C size (TONS)	CFM Δ CONTINUOUS FAN YELLOW wire position = (LO)	CFM Δ CONTINUOUS FAN YELLOW wire position = (MED)	CFM Δ CONTINUOUS FAN YELLOW wire position = (HI)
36	3.0	600	960	1200
30	2.5	500	800	1000
24	2.0	400	640	800
18	1.5	300	480	600

Δ CFM's when AC/HP CFM ADJUST at NOM position. CFM's 10% lower or higher if AC/HP CFM ADJUST at LO or HI position.

ELECTRIC HEATING MODE 24 VAC (R) input on W1 and/or W2 only			
HEAT KW/CFM adjustment RED wire position	POWER (Kw)	CFM First stage 24 VAC on W1*	CFM Second stage 24 VAC on W1 and/or W2*
20	20	500	1000
18	18	450	900
15	15	400	800

* Remove the Jumper J2 when a 2 stages thermostat is used

ON & OFF DELAY FOR COOLING AND HEAT PUMP HEATING MODE		
ON / OFF DELAY Adjustment WHITE wire position	ON-Delay Time	OFF-Delay % CFM - Time
0 / 90	0 sec.	100% - 90 sec.
30 / 90	30 sec.	100% - 90 sec.
0 / 0	0 sec.	0 sec.
ENH	30 sec.	70 % - 150 sec.

DELAY PROFILE FOR ELECTRIC HEATING MODE		
No adjustment required	ON-Delay Time	OFF-Delay % CFM - Time
-	0 sec.	50% - 60 sec.

Table 4 : Electric furnace SUP, ECM 1.0 HP motor, air flow tables

COOLING OR HEAT PUMP HEATING MODE (WITH HP-EFF SELECTED ▲) 24 VAC (R) input on G, Y/Y2 and O (for cooling)				
AC / HP SIZE Adjustment BLUE wire position	A/C size (TONS)	CFM ▼ AC/HP CFM ADJUST BLACK wire position = (NOM)	CFM ▼ AC/HP CFM ADJUST BLACK wire position = (LO)	CFM ▼ AC/HP CFM ADJUST BLACK wire position = (HI)
60	5.0	2000	1800	2200
48	4.0	1600	1440	1760
42	3.5	1400	1260	1540
36	3.0	1200	1080	1320

▼ In Cooling - Dehumidification mode, with no 24 VAC input to DH, the CFMs are reduced by 15%.
 ▼ The CFMs shown are reduced by 20% if there is 24 VAC input to Y1 only
 ▲ SYSTEM TYPE select to HP-EFF corresponds to 400 CFM/TONS - HP-COMFORT corresponds to 350 CFM/TONS

CONTINUOUS FAN 24 VAC (R) input on G only				
AC / HP SIZE Selection BLUE wire position	A/C size (TONS)	CFM Δ CONTINUOUS FAN YELLOW wire position = (LO)	CFM Δ CONTINUOUS FAN YELLOW wire position = (MED)	CFM Δ CONTINUOUS FAN YELLOW wire position = (HI)
60	5.0	1000	1600	2000
48	4.0	800	1280	1600
42	3.5	700	1120	1400
36	3.0	600	960	1200

Δ CFM's when AC/HP CFM ADJUST at NOM position. CFM's 10% lower or higher if AC/HP CFM ADJUST at LO or HI position.

ELECTRIC HEATING MODE 24 VAC (R) input on W1 and/or W2 only			
HEAT KW/CFM adjustment RED wire position	POWER (Kw)	CFM First stage 24 VAC on W1*	CFM Second stage 24 VAC on W1 and/or W2*
27	27	700	1400
23	23	575	1150

* Remove the Jumper J2 when a 2 stages thermostat is used

ON & OFF DELAY FOR COOLING AND HEAT PUMP HEATING MODE		
ON / OFF DELAY Adjustment WHITE wire position	ON-Delay Time	OFF-Delay % CFM - Time
0 / 90	0 sec.	100% - 90 sec.
30 / 90	30 sec.	100% - 90 sec.
0 / 0	0 sec.	0 sec.
ENH	30 sec.	70 % - 150 sec.

DELAY PROFILE FOR ELECTRIC HEATING MODE		
No adjustment required	ON-Delay Time	OFF-Delay % CFM - Time
-	0 sec.	50% - 60 sec.

Figure 16 : PARTS LIST, Supreme with ECM : SUPxx-E230V1 or SUPxx-E230V2

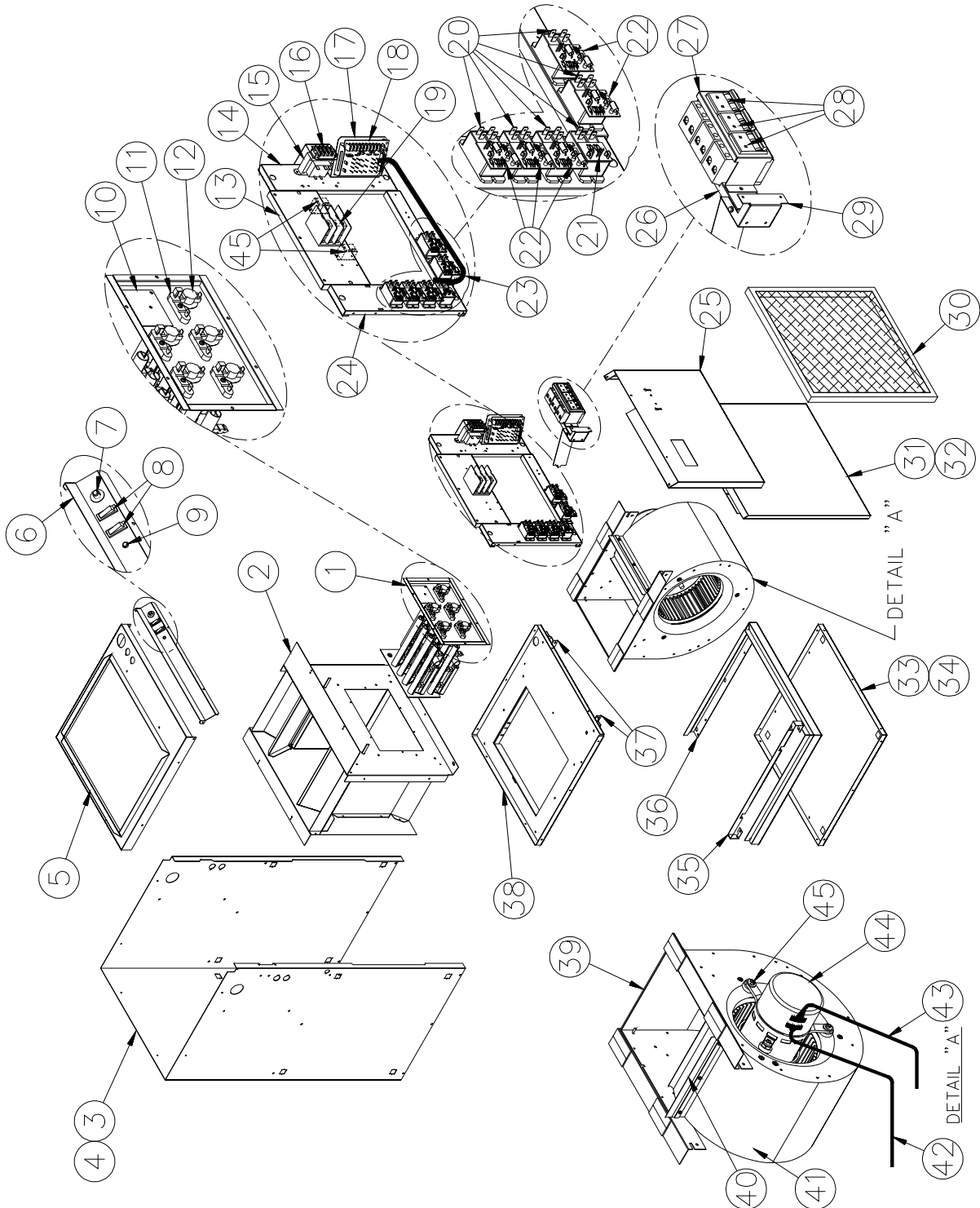


Table 5 : PARTS LIST, Supreme with ECM : SUPxx-E230V1 or SUPxx-E230V2

ITEM	PART #	DESCRIPTION	COMMENTS
1A	B04115-01	HEATING ELEMENT PLATE ASSEMBLY SUP15kw (1/2 HP)	Item 12 included
1B	B04116-01	HEATING ELEMENT PLATE ASSEMBLY SUP18kw (1/2 HP)	Item 12 included
1C	B04116-02	HEATING ELEMENT PLATE ASSEMBLY SUP20kw (1/2 HP / 1 HP)	Item 12 included
1D	B04117-01	HEATING ELEMENT PLATE ASSEMBLY SUP23kw (1/2 HP)	Item 12 included
1E	B04118-01	HEATING ELEMENT PLATE ASSEMBLY SUP23kw (1 HP)	Item 12 included
1F	B04119-01	HEATING ELEMENT PLATE ASSEMBLY SUP27kw (1 HP)	Item 12 included
2	B04075	FRONT DIVIDER ASSEMBLY	
3	B03260-01	CASING ASSEMBLY	Item 4 included
4	B03302	CASING INSULATION	
5	B03263-01	TOP PANEL ASSEMBLY	
6	B04068-01	SWITCH PLATE ASSEMBLY	Item 7, 8 & 9 included
7	L01J001	CIRCUIT BREAKER 15 AMP	
8	L07F015	ROCKER SWITCH SPDT	
9	L01L006	PILOT LIGHT	
10	B03286	HEATING ELEMENT COVER	
11A	L99H008	HEATING ELEMENT 5kw	
11B	L99H009	HEATING ELEMENT 4kw	
12A	R02N015	THERMODISK L150-55F	15 to 23kw - 1/2 HP
12B	R02N019	THERMODISK L140-55F	23 to 27kw - 1.0 HP
13	B03288	MOUNTING PLATE FOR ELECTRICAL, TOP	
14	B04190	MOUNTING PLATE FOR ELECTRICAL, RIGHT SIDE	
15	L01F010	TRANSFORMER 208-240-24 Volts	
16	L05F004	TERMINAL STRIP, 4-POSITIONS	
17	B03529	MOUNTING PLATE FOR CONTROL BOARD	
18A	B03531-01	ELECTRONIC BOARD ASSEMBLY (1/2 HP)	15 to 23kw - 1/2 HP
18B	B03531-02	ELECTRONIC BOARD ASSEMBLY (1 HP)	23 to 27kw - 1.0 HP
19A	L99F007	TERMINAL BLOCK	15 to 23kw
19B	L99F001	TERMINAL BLOCK	27kw
20	L01H030	RELAY DPST 22 VDC	
21	R99G006	RECTIFIER CONTROL	
22	R99G007	RECTIFIER/TIMER CONTROL	
23A	B04029	ELECTRICAL KIT	15kw
23B	B04030	ELECTRICAL KIT	18, 20kw
23C	B04031	ELECTRICAL KIT	23kw
23D	B04032	ELECTRICAL KIT	27kw
24	B04091	MOUNTING PLATE FOR ELECTRICAL, LEFT SIDE	
25	B04072-01	DOOR, ELECTRICAL COMPARTMENT	
26	B04093	BREAKER SUPPORT	
27A	B04096	BREAKER PLATE	15,18, 20kw
27B	B04097	BREAKER PLATE	23, 27kw
28A	L01J004	BREAKER 25 AMP	
28B	L01J005	BREAKER 50AMP	
29	B04094	PIVOT BREAKER	
30	Z04F004	PAPER FILTER 20 x 20 x 1	
31	B04071-01	DOOR, BLOWER COMPARTMENT	Item 32 included
32	B02293-22	BLOWER DOOR INSULATION	
33	B03258	FLOOR ASSEMBLY	Item 34 included
34	B02293-21	FLOOR INSULATION	
35	B03299	FILTER RACK ACCESS	
36	B03298	FILTER RACK U-FRAME	
37	B30513	BLOWER RAIL	
38	B03264-03	BLOWER DIVIDER ASSEMBLY	Item 37 included
39A	B03301-02	REPLACEMENT BLOWER ASSEMBLY (1/2 HP)	Items 40, 41, 44 & 45 included
39B	B03318-02	REPLACEMENT BLOWER ASSEMBLY (1 HP)	Items 40, 41, 44 & 45 included
40A	B01291-04	SEAL STRIP (1/2 HP)	
40B	B01291-01	SEAL STRIP 1 1/2" x 13 1/8" (1 HP)	
41A	B03720-02	BLOWER 100-8R (1/2 HP)	
41B	B03720-05	BLOWER 120-10T (1 HP)	
42	B03519	BLOWER ELECTRICAL KIT	
43	B03520	BLOWER ELECTRICAL KIT	
44A	B03811-06	MOTOR 1/2 HP ECM	
44B	B03813-05	MOTOR 1.0 HP ECM	
45A	B01888	MOTOR SUPPORT BAND AND LEGS (1/2 HP)	
45B	B01889	MOTOR SUPPORT BAND AND LEGS (1 HP)	
46	L01H009	ACCESSORY RELAY 24 VAC	Optional
ACCESSORIES			
	AK	ADAPTOR KIT 17"x17"	(Ref: B03883)
	DFB-FEM	DOWNFLOW BASE FOR 23 KW UNITS OR MORE	(Ref: B03310-01)