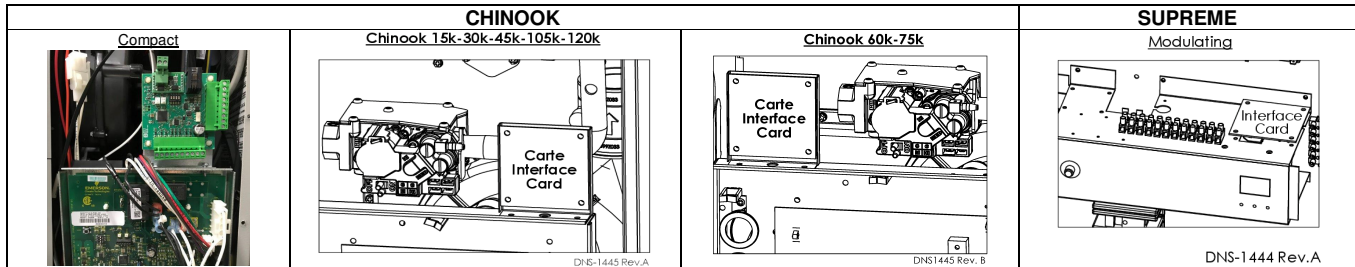


# DETTSON ALIZÉ INTERFACE (K03081)

## QUICK SETUP GUIDE

### Setting up – Communicating System (With Communicating Thermostat R02P032)

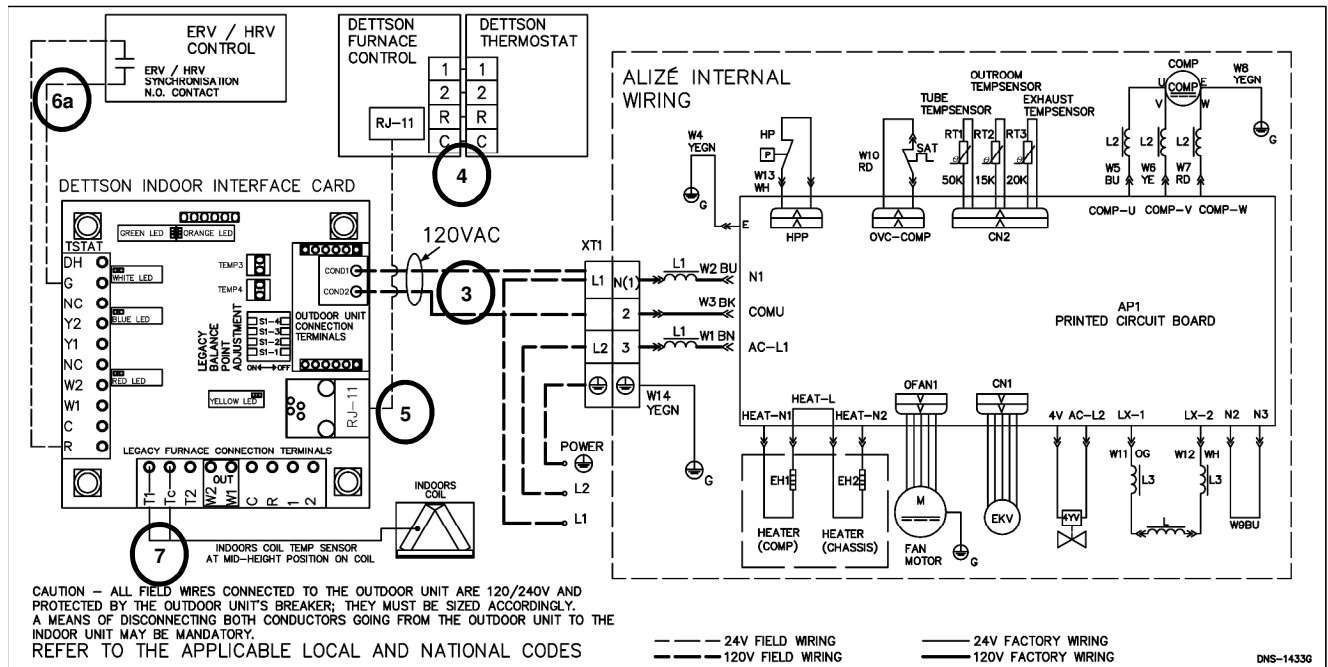
1. Turn off the breaker of the outdoor unit and the furnace
2. Install the interface board at the proposed location in the furnace.



3. Connect COND1 and COND2 on the interface board to N(1) and 2 at the outdoor unit (See complete manuel included with the unit)
4. Connect the thermostat wires 1, 2, R and C to the furnace
5. Connect the RJ-11 wire (A00443) between the interface and the furnace control board (See complete manuel included with the unit)
6. Optional ERV/HRV interlock:
  - a. Connect the ERV/HRV unit between the R and G terminals on the Interface Board
  - b. Adjust the desired airflow using the dipswitches #2, #3 and #4 on the interface board
7. The temperature sensor must be properly installed on the indoor coil (refer to provided instructions) and connected between T1 and TC
8. Turn "ON" the breaker of the outdoor unit
9. Turn "ON" the breaker of the furnace

Fan Adjustment for ERV/HRV				
DIP1	DIP2	DIP3	DIP4	Fan Demand (% of max CFM)
-	OFF	OFF	OFF	20%
-	OFF	OFF	ON	25%
-	OFF	ON	OFF	30%
-	OFF	ON	ON	35%
-	ON	OFF	OFF	40%
-	ON	OFF	ON	45%
-	ON	ON	OFF	50%
-	ON	ON	ON	55%

In this configuration, the interface board will gather information from both the outdoor unit and the furnace in order to adjust the fan speed to the capacity of the outdoor unit.



\* Alizé 9/12 kBtu shown. See the Electrical Diagrams section of the Alizé manual for other models.

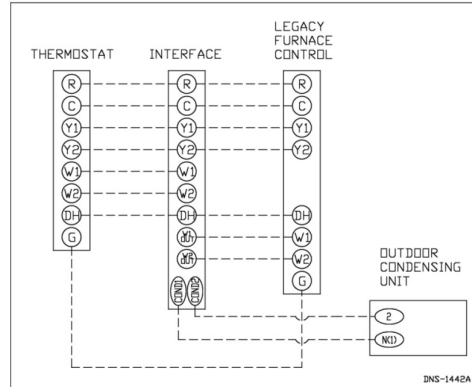
10. Balance point adjustment
  - a. From the thermostat's Home Screen Display, touch and hold the **LEFT** and **RIGHT** arrows for approximately 3 seconds to enter the Installer Menu
  - b. Select **Dual Fuel** (or **Heat Pump Disable**)
  - c. Change the setpoint of the desired balance point (-15°C/5°F by default)
  - d. Touch the **Home** key to return to the Home Screen
  - e. Note: It is possible to also adjust the **Aux Heat Lockout** temperature, above which only the heat pump will be used.

# DETTSON ALIZÉ INTERFACE (K03081)

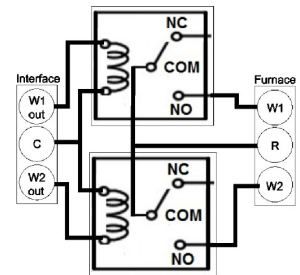
## QUICK SETUP GUIDE

### Setting up – Legacy System (With 24V Thermostat<sup>1</sup>)

1. Turn off the breaker of the outdoor unit and the furnace
2. Connect COND1 and COND2 on the interface board to N(1) and 2 at the outdoor unit (See complete manual included with the unit)
3. Connect all the thermostat control wires to the interface card and the air handler control board



4. Make sure to properly connect the heat signals:
  - a. Output W1 and W2 of the thermostat to the W1 and W2 inputs of the interface board
  - b. For signal stage thermostats, connect to W2 on the interface board
  - c. W1 out and W2 out of the interface board goes to W1 and W2 of the furnace
  - d. Some furnaces<sup>2</sup> require a large current through the W1 & W2 connections. If the furnace needs more than 110mA on a W signal, relays (24VAC, not supplied) will be required between Wout of the interface card and the furnace, as per the diagram
5. If the thermostat does not have a DH output, a jumper must be placed between R and DH on the interface board
6. The temperature sensor must be properly installed on the indoor coil (refer to provided instructions) and connected between T1 and TC
7. Adjust the balance point using the dipswitches #2, #3 and #4 on the interface board



Balance Point Adjustment			
DIP2	DIP3	DIP4	Balance Point
OFF	OFF	OFF	-20°C (-4°F)
OFF	OFF	ON	-17°C (-1°F)
OFF	ON	OFF	-14°C (7°F)
OFF	ON	ON	-11°C (12°F)
ON	OFF	OFF	-8°C (18°F)
ON	OFF	ON	-5°C (23°F)
ON	ON	OFF	-2°C (28°F)
ON	ON	ON	HP heat only

8. Turn "ON" the breaker of the outdoor unit
9. Turn "ON" the breaker of the furnace

### Mode A/C only

- To run the outdoor unit in "Air Conditioner" mode (no heat), turn ON the dipswitch #1.

DIP1	Mode
OFF	AC & HP
ON	AC Only

### Make sure the unit is working properly

1. The Green LED on the interface board should be blinking once every two seconds
2. The Orange LED on the interface board should be blinking once every two seconds
3. The communicating thermostat will display "Heat Pump Found"
4. Set the thermostat to "COOL" mode and adjust the set point to a lower value than the actual room temperature
5. The furnace and the outdoor unit should start within 5 minutes

<sup>1</sup> Thermostat must call for heat on W

<sup>2</sup> Including Chinook 1 or 2 stages models