

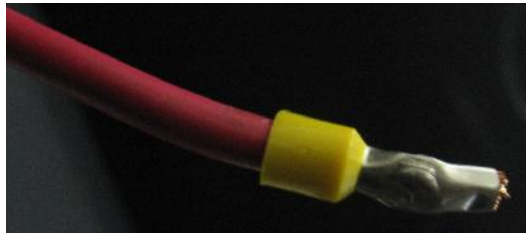
HYDRA REVOLUTION

Convert wiring for one wire installation

Warning – When using one terminal block on the 27KW and 29KW models, the installation must be performed with copper wire ONLY in order to comply with the Canadian electrical code. The usage of an aluminum or copper wire is acceptable on the 24KW model with one terminal block.

General principle: The single wires shall be connected on the bottom terminals of the terminal block, the multiple wires shall be connected on the top terminals.

Step 1. On each terminal block, remove the red single wire/s (One for the 24KW, two for the 27KW and 29KW)



Step 2. Cut off the ferrule of the red single wire/s



Step 3. Skin the single wire/s and place them in the two lower connections on the left terminal block

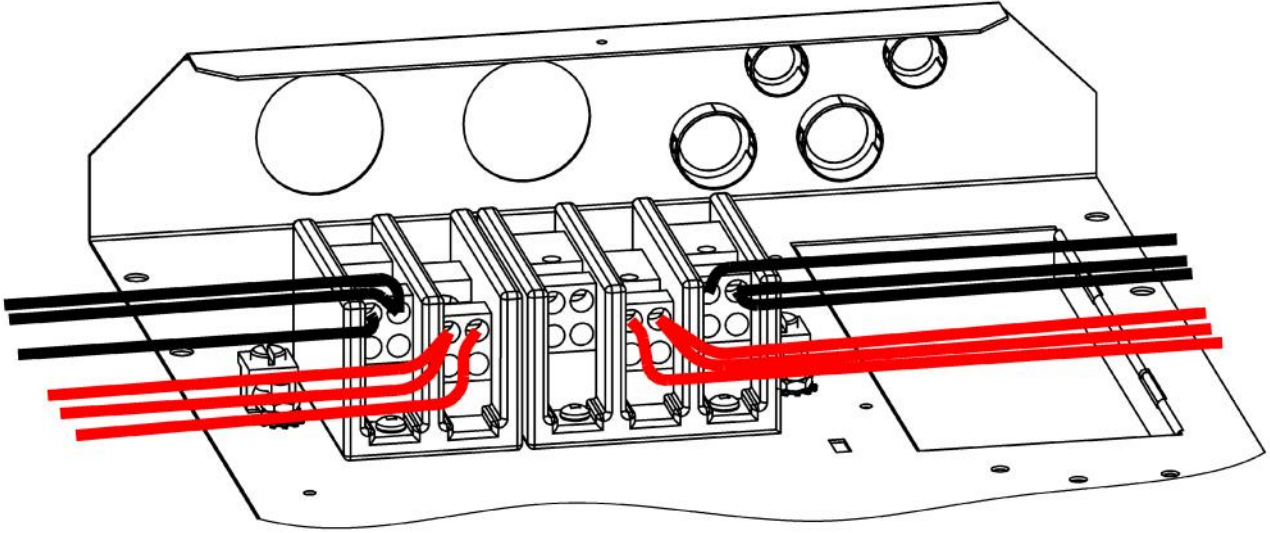
Step 4. Move the multiple wire to the free connection (top) on the right terminal block



Step 5. Repeat step 1 to 4 in order to move the black wires

See next page for a before/after image

BEFORE



AFTER

