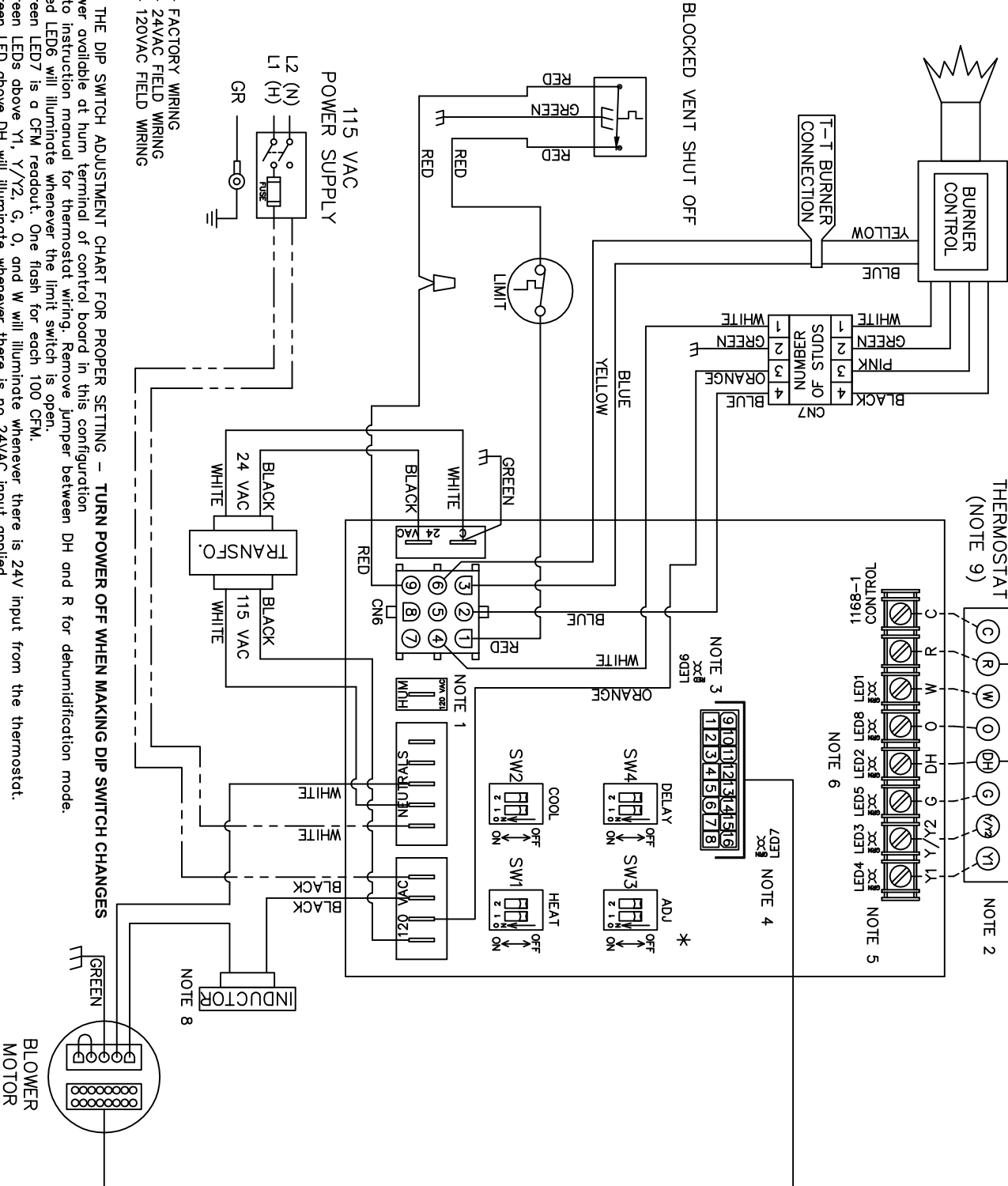


# SCHEMATIC WIRING DIAGRAM

FOR BURNER WIRING DIAGRAM,  
REFER TO BURNER LABELS  
AND INSTRUCTIONS.



- \* REFER TO THE DIP SWITCH ADJUSTMENT CHART FOR PROPER SETTING - TURN POWER OFF WHEN MAKING DIP SWITCH CHANGES
- NOTE 1: No power available at hum terminal of control board in this configuration
- NOTE 2: Refer to instruction manual for thermostat wiring. Remove jumper between DH and R for dehumidification mode.
- NOTE 3: The Red LED6 will illuminate whenever the limit switch is open.
- NOTE 4: The Green LED7 is a CFM readout. One flash for each 100 CFM.
- NOTE 5: The Green LEDs above Y1, Y/Y2, G, O, and W will illuminate whenever there is 24V input from the thermostat.
- NOTE 6: The Green LED above DH will illuminate whenever there is no 24VAC input applied.
- NOTE 7: Use only copper wire.
- NOTE 8: Inductor needed only for 1 hp motor.
- NOTE 9: Thermostat anticipator setting - 0.20 amp.